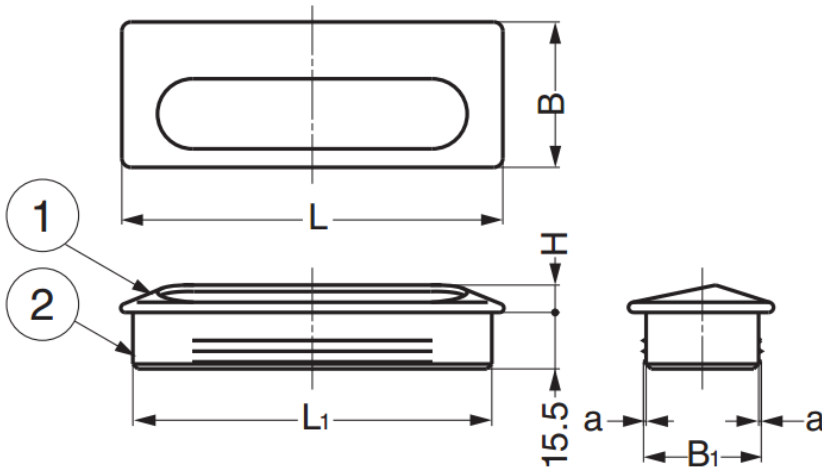
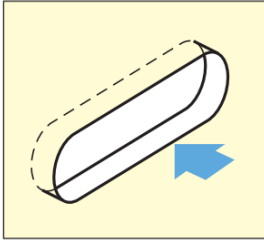


GUT Stainless Steel Recessed Pull

Installation



No.	Material	Finish/Colour
①	Stainless Steel (SUS304)	Satin
②	High Impact Polystyrene	Black

Part No.	L	L ₁	H	B	B ₁	a
GUT-75	75	71	7	36	30.8	0.4
GUT-105	105	99	7.5	40	32.5	0.5
GUT-140	140	134		47	40.5	